



Mark For:

Date: _____
 Therapist: _____
 Customer Name: _____
 Contact: _____
 Address: _____
 City: _____ ST: _____ PC: _____
 Phone: () _____ Fax: () _____
 Confirmation Email: _____

PO#: _____

ADDITIONAL SHIPPING INFORMATION

Ship To: _____
 Attention: _____
 Address: _____
 Address: _____
 Ship To City: _____ ST: _____ PC: _____
 Ship To Phone: () _____ Fax: () _____

✓ Option #	Definition	Price	✓ Option #	Definition	Price
------------	------------	-------	------------	------------	-------

1. FRAME

Base Model

<input type="checkbox"/>	183WM56	Quickie IRIS with True Fit Growth	
--------------------------	---------	-----------------------------------	--

Pre-Set Tilt Angle (55° range) (Default in Bold)

<input type="checkbox"/>	183TA5	-5 to 50° NA w/ Heavy Duty and 12.5" STFH	N/C
<input type="checkbox"/>	183TA6	0 to 55°	N/C
<input type="checkbox"/>	183TA7	+5 to 60° NA w/Heavy Duty Package	N/C

Pre-Set Tilt Angle (40° range) (Default in Bold)

<input type="checkbox"/>	183TA8	-5 to 35° NA w/ Heavy Duty and 12.5" STFH	N/C
<input type="checkbox"/>	183TA1	0 to 40°	N/C
<input type="checkbox"/>	183TA10	+5 to 45° NA w/Heavy Duty Package	N/C

Tilt Release Options

<input type="checkbox"/>	183TT8	Foot Release - No Cables NA with Vent and Battery Tray. NA with 21-22" depth and +5° set-ups. <input type="checkbox"/> Left <input type="checkbox"/> Right (Facing from rear)	N/C
<input type="checkbox"/>	183TT12	Backrest Dual trigger cable releases	N/C

Transit

<input type="checkbox"/>	183TO45	WC-19 Transit Option	
--------------------------	---------	----------------------	--

Frame Options

<input type="checkbox"/>	183FS23	Standard Base and Seat Frame Maximum Weight: 136 kgs	N/C
<input type="checkbox"/>	183HV1	Heavy Duty Package (Max: 181kgs) NA w/ Vent, Battery Tray and Mono Back	
<input type="checkbox"/>	183FS24	Vent/Battery Tray Base NA w/ Attendant Wheel Lock, Mono Back and 14" and 15" frame width; min 17" STFH.	
<input type="checkbox"/>	183FT46	Contracture Seat Frame NA w/ 14" or 15" frame depths. NA w/ drop seat pan.	N/C

Frame Struts

<input type="checkbox"/>	183GY01	Fixed (Standard)	N/C
<input type="checkbox"/>	183GY02	Width Adjusting System Avail. range 14"-21". Max growth 22" NA with Mono Back	N/C

2. SIZE / SEATING

Frame Width

<input type="checkbox"/>	183W5	14"	N/C
<input type="checkbox"/>	183W6	15"	N/C
<input type="checkbox"/>	183W7	16"	N/C
<input type="checkbox"/>	183W8	17"	N/C
<input type="checkbox"/>	183W9	18"	N/C
<input type="checkbox"/>	183W10	19"	N/C
<input type="checkbox"/>	183W11	20"	N/C
<input type="checkbox"/>	183W12	21" NA w/ removable stroller handle extension	
<input type="checkbox"/>	183W13	22" NA w/ removable stroller handle extension	

Seat Type

<input type="checkbox"/>	183ST35	Standard Seat Pan For growth ranges, see Figure 1.5	
<input type="checkbox"/>	183ST36	Drop Seat Pan -NA w/ transit, HD, contracture footrest system	
<input type="checkbox"/>	183ST54	Omit Seat Pan	N/C

JAY Cushions (Optional)

To order any JAY cushions on-chair, please see the JAY price list.
Cushion name or part number must be filled out with desired width and depth.

<input type="checkbox"/>	183JC20	JAY Bundled Cushion Cushion Name/Part #: Width: _____ Depth: _____	Price List
--------------------------	---------	--	------------

Frame Width - Built 4 Me Options



Requires Heavy Duty package

<input type="checkbox"/>	183W57	B4ME - 23" Width	
<input type="checkbox"/>	183W58	E2202 B4ME - 24" Width	

Custom Seating

<input type="checkbox"/>	183QC01	JAY Custom (AES/JCF)	
<input type="checkbox"/>	183QC02	JAY Surefit	
<input type="checkbox"/>	183QC03	JAY Fit	

✓	Option #	Definition	Price	✓	Option #	Definition	Price
2. SIZE / SEATING (CONT) Fill out either A or B							

A. Setup By QUICKIE

B. Setup By DEPTH

A. User's Seated Height

See **Figure 1.2**, Dimension B. Distance from seat surface to top of the head.

<input type="checkbox"/>	183SJ01	Less than 37"	N/C
<input type="checkbox"/>	183SJ02	37" or Greater	N/C

A. User's Weight (Default in Bold)

136 - 181kgs options only available w/ HD Package

<input type="checkbox"/>	183BO01	0 - 136 kgs	N/C
<input type="checkbox"/>	183BO03	137 - 158 kgs	N/C
<input type="checkbox"/>	183BO12	159 - 181 kgs	N/C

A. Desired Seat Depth

See **Figure 1.2**, Dimension A for measurement

<input type="checkbox"/>	183SD7	14"	N/C
<input type="checkbox"/>	183SD8	15"	N/C
<input type="checkbox"/>	183SD9	16"	N/C
<input type="checkbox"/>	183SD10	17"	
<input type="checkbox"/>	183SD11	18"	
<input type="checkbox"/>	183SD12	19"	
<input type="checkbox"/>	183SD13	20"	
<input type="checkbox"/>	183SD14	21"	
<input type="checkbox"/>	183SD33	22"	

A. Top of Cushion to Seat Rail

See **FIGURE 1.3** Dimensions A & B. This measurement is taken from the top of the cushion to the upper surface of the seat rail. If the cushion has a wedged shape and/or has significant lateral pelvic contour, then determine the height of the cushion at the point where the ischial tuberosities would contact (not immerse) the cushion surface.

<input type="checkbox"/>	183CJ01	2 1/2" or Greater	N/C
<input type="checkbox"/>	183CJ02	Less than 2 1/2"	N/C
<input type="checkbox"/>	183CJ03	Below Seat Rail	N/C

OR

B. Frame Depth Range

<input type="checkbox"/>	183FL91	Short Seat Frame 14"-18"	N/C
<input type="checkbox"/>	183FL92	Medium Seat Frame 16"-20"	N/C
<input type="checkbox"/>	183FL93	Long Seat Frame 18"-22"	N/C

B. Frame Depth

<input type="checkbox"/>	183FD5	14" <i>recommend short seat frame</i>	N/C
<input type="checkbox"/>	183FD6	15" <i>recommend short seat frame</i>	N/C
<input type="checkbox"/>	183FD7	16" <i>recommend short seat frame</i>	N/C
<input type="checkbox"/>	183FD8	17" <i>recommend short seat frame</i>	N/C
<input type="checkbox"/>	183FD9	18" <i>recommend medium seat frame</i>	N/C
<input type="checkbox"/>	183FD10	19" <i>recommend medium seat frame</i>	N/C
<input type="checkbox"/>	183FD11	20" <i>recommend long seat frame</i>	
<input type="checkbox"/>	183FD16	21" <i>recommend long seat frame</i>	
<input type="checkbox"/>	183FD17	22" <i>recommend long seat frame</i>	

Desired Seat Depth

Figure 1.2

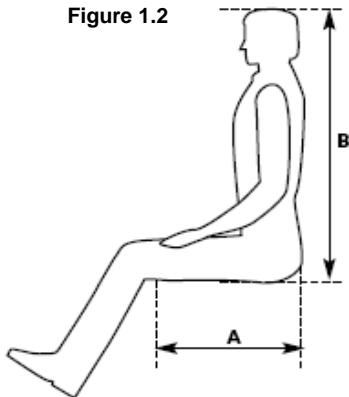


Figure 1.3

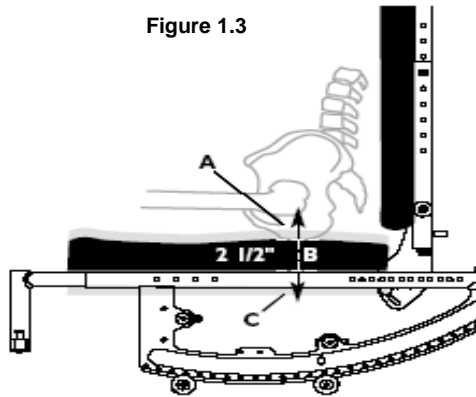


Figure 1.4

Frame Width	Seat Pan Growth
14"	14" - 16"
15"	15" - 16"
16"	16" - 18"
17"	17" - 18"
18"	18" - 20"
19"	19" - 20"
20"	20" - 22"
21"	21" - 22"
22"	NA

✓ Option #	Definition	Price	✓ Option #	Definition	Price
3. CASTERS / SEAT HEIGHTS / REAR WHEELS					

Front Seat Height

Rear Wheel Size	CASTER SIZE					
	4"	5"	6"	8x1"	8x1.5"	8x2"
12" Mag	<input type="checkbox"/> 12.5"	<input type="checkbox"/> 13.5"	<input type="checkbox"/> 16.5"		<input type="checkbox"/> 16.5"	
		<input type="checkbox"/> 16.5"	<input type="checkbox"/> 17.0"	<input type="checkbox"/> 17.0"	<input type="checkbox"/> 17.0"	
		<input type="checkbox"/> 17.0"	<input type="checkbox"/> 17.5"	<input type="checkbox"/> 17.5"	<input type="checkbox"/> 17.5"	<input type="checkbox"/> 17"
		<input type="checkbox"/> 17.5"		<input type="checkbox"/> 18.0"	<input type="checkbox"/> 18.0"	<input type="checkbox"/> 18.0"
12" Low Poly		<input type="checkbox"/> 16.0"	<input type="checkbox"/> 16.0"		<input type="checkbox"/> 16.0"	
		<input type="checkbox"/> 16.5"	<input type="checkbox"/> 16.5"	<input type="checkbox"/> 16.5"	<input type="checkbox"/> 16.5"	<input type="checkbox"/> 16.5"
		<input type="checkbox"/> 17.0"	<input type="checkbox"/> 17.0"	<input type="checkbox"/> 17.0"	<input type="checkbox"/> 17.0"	<input type="checkbox"/> 17.0"
		<input type="checkbox"/> 17.5"		<input type="checkbox"/> 17.5"		
16" Mag		<input type="checkbox"/> 13.5"				
		<input type="checkbox"/> 14.0"				
		<input type="checkbox"/> 14.5"	<input type="checkbox"/> 14.5"			
		<input type="checkbox"/> 15.0"	<input type="checkbox"/> 15.0"			
		<input type="checkbox"/> 18.0"	<input type="checkbox"/> 18.0"	<input type="checkbox"/> 18.0"	<input type="checkbox"/> 18.0"	<input type="checkbox"/> 18.0"
		<input type="checkbox"/> 18.5"	<input type="checkbox"/> 18.5"	<input type="checkbox"/> 18.5"	<input type="checkbox"/> 18.5"	
			<input type="checkbox"/> 19.0"	<input type="checkbox"/> 19.0"	<input type="checkbox"/> 19.0"	<input type="checkbox"/> 19.0"
20" Mag / 5 Spoke		<input type="checkbox"/> 16.0"	<input type="checkbox"/> 16.0"		<input type="checkbox"/> 16.0"	
		<input type="checkbox"/> 16.5"	<input type="checkbox"/> 16.5"	<input type="checkbox"/> 16.5"	<input type="checkbox"/> 16.5"	<input type="checkbox"/> 16.5"
		<input type="checkbox"/> 17.0"	<input type="checkbox"/> 17.0"	<input type="checkbox"/> 17.0"	<input type="checkbox"/> 17.0"	<input type="checkbox"/> 17.0"
		<input type="checkbox"/> 17.5"		<input type="checkbox"/> 17.5"		
22" Mag / 5 Spoke		<input type="checkbox"/> 17.0"	<input type="checkbox"/> 17.0"	<input type="checkbox"/> 17.0"		<input type="checkbox"/> 17.0"
		<input type="checkbox"/> 17.5"	<input type="checkbox"/> 17.5"	<input type="checkbox"/> 17.5"	<input type="checkbox"/> 17.5"	
		<input type="checkbox"/> 18.0"	<input type="checkbox"/> 18.0"	<input type="checkbox"/> 18.0"	<input type="checkbox"/> 18.0"	<input type="checkbox"/> 18.0"
		<input type="checkbox"/> 18.5"		<input type="checkbox"/> 18.5"	<input type="checkbox"/> 18.5"	
24" Mag / 5 Spoke & Spoke		<input type="checkbox"/> 18.0"	<input type="checkbox"/> 18.0"		<input type="checkbox"/> 18.0"	<input type="checkbox"/> 18.0"
		<input type="checkbox"/> 18.5"	<input type="checkbox"/> 18.5"	<input type="checkbox"/> 18.5"	<input type="checkbox"/> 18.5"	
			<input type="checkbox"/> 19.0"	<input type="checkbox"/> 19.0"	<input type="checkbox"/> 19.0"	<input type="checkbox"/> 19.0"
				<input type="checkbox"/> 19.5"		

Castors

<input type="checkbox"/> 183CW73	4" x 1.25" Semi Pneumatic NA w/ Heavy Duty Option	N/C
<input type="checkbox"/> 183CW53	5" x 1" Polyurethane	N/C
<input type="checkbox"/> 183CW7	5" x 1.5" Semi Pneumatic	
<input type="checkbox"/> 183CW45	6" x 1" Polyurethane	N/C
<input type="checkbox"/> 183CW35	6" x 1.5" Semi Pneumatic	
<input type="checkbox"/> 183CW46	8" x 1" Polyurethane	N/C
<input type="checkbox"/> 183CW39	8" x 1.5" Semi Pneumatic	
<input type="checkbox"/> 183CW36	8" x 2" Pneumatic	
<input type="checkbox"/> 183CW37	8" x 2" Pneumatic w/Insert	

Axle Plate

One arm drive only available in 6 spoke Mags

<input type="checkbox"/> 183AL33	Standard Axle Plate	N/C
<input type="checkbox"/> 183AL17	One Arm Drive Axle Plate NA w/ 12" & 16" mag, 24" spoke wheels.	
<input type="checkbox"/> 183OA2	One Arm Drive Standard Handrim	N/C
<input type="checkbox"/> 183HM1	Right Hand Mount	N/C
<input type="checkbox"/> 183HM2	Left Hand Mount	N/C
<input type="checkbox"/> 183OA1	One Arm Drive Small Handrim NA w/ 20" mag wheels	N/C
<input type="checkbox"/> 183HM1	Right Hand Mount	N/C
<input type="checkbox"/> 183HM2	Left Hand Mount	N/C

4. WHEEL LOCKS / HUB LOCK

Wheel Lock

<input type="checkbox"/> 183WL8	Push to Lock	N/C
<input type="checkbox"/> 183WL41	Attendant Wheel Lock (Foot Lock) NA w/ ext handles. NA w/ one arm drive	
<input type="checkbox"/> 183WL10	Omit Wheel Lock	N/C

Rear Wheel

NEW!
12"-16" NA w/handrim. 12" w/attendant wheel lock NA w/ +5 - 60° tilt angle.
20"-22" Mag wheel NA w/Projection handrim. See matrix for availability

<input type="checkbox"/> 183RW13	12" Mag Wheel	N/C
<input type="checkbox"/> 183RW14	16" Mag Wheel	N/C
<input type="checkbox"/> 183RW3	20" Mag Wheel	N/C
<input type="checkbox"/> 183RW8	22" Mag Wheel	N/C
<input type="checkbox"/> 183RW1	24" Mag Wheel	N/C
<input type="checkbox"/> 183RW51	24" Spoke Wheel	N/C
<input type="checkbox"/> 183RW103	20" Mag Wheel 5 Spoke	N/C
<input type="checkbox"/> 183RW104	22" Mag Wheel 5 Spoke	N/C
<input type="checkbox"/> 183RW102	24" Mag Wheel 5 Spoke	N/C

Rear Tire & Wheel Matrix

Tire	Rear Wheel		
	5 Spoke Mag	Spoke	Mag Wheel
Pneumatic	20,22,24	24	12,16,20,22,24
Pneumatic w/ Airless Insert	20,22,24	24	12,16,20,22,24
Full Poly	20,22,24	24	20,22,24
Low Poly	NA	NA	12

12" = 203mm 16" = 305mm 20" = 451mm 22" = 501mm 24" = 540mm

Rear Wheel Tire

<input type="checkbox"/> 183RT3	Full Polyurethane	N/C
<input type="checkbox"/> 183RT4	Low Polyurethane	N/C
<input type="checkbox"/> 183RT1	Pneumatic	N/C
<input type="checkbox"/> 183RT2	Pneumatic Airless Insert	

Handrim

12" and 16" wheels not available with hand rims. See matrix for availability

<input type="checkbox"/> 183HR1	Aluminum Anodized	N/C
<input type="checkbox"/> 183HR4	Plastic Coated	
<input type="checkbox"/> 183HR7	Omit Handrim	N/C

Rear Wheel & Handrim Matrix

Handrim	Rear Wheel		
	5 Spoke Mag	Spoke	Mag Wheel
Aluminum Anodized	20,22,24	24	20,22,24
Plastic Coat	20,22,24	24	20,22,24
Projection 8 Oblique	NA	NA	24

Projections

Not available on plastic coated. Only available with 24" rim MAG wheels

<input type="checkbox"/> 183HR8	8 Oblique	
---------------------------------	-----------	--

Axle

<input type="checkbox"/> 183AX1	Quick Release Axles NA w/ one arm drive	N/C
<input type="checkbox"/> 183AX17	Threaded Axles NA w/ 24" spoke wheels	N/C

Hub Lock

Only available w/ 12" or 16" wheels. NA w/ one arm drive.

<input type="checkbox"/> 183LK01	12" Hub Lock	
<input type="checkbox"/> 183LK02	16" Hub Lock	

Extension Handle

<input type="checkbox"/> 183EH7	6" Pair	
---------------------------------	---------	--

✓	Option #	Definition	Price	✓	Option #	Definition	Price
---	----------	------------	-------	---	----------	------------	-------

5. HANGER AND FOOTREST

Footrest (Choose ONE Option - A, B, or C)

A. Hanger Mounted Footrest			
<input type="checkbox"/>	183H140	70° Swing In/Swing Out -Front Mount	N/C
<input type="checkbox"/>	183H142	80° Swing In/Swing Out -Front Mount	N/C
<input type="checkbox"/>	183H158	90° Swing In/Swing Out -Front Mount	N/C
<input type="checkbox"/>	183H146	70° Heavy Duty Front Mount Lift Off	
<input type="checkbox"/>	183H132	80° Heavy Duty Front Mount Lift Off NA w/ 4" casters	
<input type="checkbox"/>	183H147	90° Heavy Duty Front Mount Lift Off NA w/ 4" casters	
<input type="checkbox"/>	183H161	Elevating Hanger - Front Mount NA 90° footboard, some interference with casters if not tilted, 17" wide chairs & up.	

A

A. Hanger Mounted Footrest Extension Tubes			
NA w/ 12.5" seat height			
<input type="checkbox"/>	183E23	2" NA w/ 90 swing away, 90 lift off hangers	
<input type="checkbox"/>	183E24	4" NA w/ 90 swing away, 90 lift off	

A. Hanger Mounted Footrest Footplates			
Heel loop or leg strap not included, See Footplate Options Section			
<input type="checkbox"/>	183F4	Kids Angle Adj Available w/ 14" to 16" frame width only	
<input type="checkbox"/>	183F8	Adult Angle Adj - Front Mount	
<input type="checkbox"/>	183A7	Omit Footplate	N/C

B. Extension Tube Mounted Footrests			
Footrests mount to extension tubes			
<input type="checkbox"/>	183H145	60° Swing In/Swing Out	N/C
<input type="checkbox"/>	183H139	70° Swing In/Swing Out	N/C
<input type="checkbox"/>	183H141	80° Swing In/Swing Out NA w/ 8" casters	N/C
<input type="checkbox"/>	183H160	Elevating Hanger - Ext Mount NA w/ Platform Flip Up and Alum Angle Adj Front Mount footplates.	
<input type="checkbox"/>	183H159	Articulating Hanger NA w/ Platform Flip Up and Alum Angle Adj Front Mount footplates.	

B

B. Extension Tube Mounted Footrests			
<input type="checkbox"/>	183E1	Short	N/C
<input type="checkbox"/>	183E2	Medium NA with 12.5" seat height	N/C
<input type="checkbox"/>	183E5	Long NA with 12.5" seat height	N/C
<input type="checkbox"/>	183E16	High Mount Only available with adult or kids angle adj. footplates	

B. Extension Tube Mounted Footrest Footplates NEW!			
Heel loop or leg strap not included, See Footplate Options Section			
<input type="checkbox"/>	183F1	Composite	N/C
<input type="checkbox"/>	183F271	Composite Angle Adj-(16"-22"w)	N/C
<input type="checkbox"/>	183F5	Aluminum Only available w/ELR	N/C
<input type="checkbox"/>	183F3	Adult Angle Adjustable - Ext Mount	
<input type="checkbox"/>	183F48	Platform Flip-Up NA w/ med ext tubes.	
<input type="checkbox"/>	183F7	Omit Footplate and Ext. Tube	

OR			
C. Contracture Footrest System			
Multi-Adjustable Padded Hangers & Angle Adjustable Aluminum Footrests			
<input type="checkbox"/>	183H26	Contracture Footrest System NA w/ drop seat pan. NA w/ 15" frame depth	
<input type="checkbox"/>	183FP02	Outside Mount	N/C
<input type="checkbox"/>	183FP01	Center Mount	N/C
Select Extension Height Below for Short			
<input type="checkbox"/>	183E25	Short	
<input type="checkbox"/>	183EP1	10.5" Extension Height	N/C
<input type="checkbox"/>	183EP2	11.0" Extension Height	N/C
<input type="checkbox"/>	183EP3	11.5" Extension Height	N/C
<input type="checkbox"/>	183EP4	12.0" Extension Height	N/C
<input type="checkbox"/>	183EP5	12.5" Extension Height	N/C
<input type="checkbox"/>	183EP6	13.0" Extension Height	N/C
Select Extension Height Below for Regular			
<input type="checkbox"/>	183E26	Regular	
<input type="checkbox"/>	183EP5	12.5" Extension Height	N/C
<input type="checkbox"/>	183EP6	13.0" Extension Height	N/C
<input type="checkbox"/>	183EP7	13.5" Extension Height	N/C
<input type="checkbox"/>	183EP8	14.0" Extension Height	N/C
<input type="checkbox"/>	183EP9	14.5" Extension Height	N/C
<input type="checkbox"/>	183EP10	15.0" Extension Height	N/C

C

OR			
Z-finity Hangers/Footrest System NEW!			
(Maximum weight capacity for Z-Finity footrests is 74kgs)			
Some interference may exist in certain configurations.			
<input type="checkbox"/>	183H162	Z-finity Hanger	N/C
Z-finity Footrest Mount			
<input type="checkbox"/>	183DI22	Direct Hanger Mt/Fixed Frame - High	N/C
<input type="checkbox"/>	183DI23	Direct Hanger Mt/Fixed Frame - Low	N/C
<input type="checkbox"/>	183DI24	Extension Tube Mount	N/C
Z-finity Footrest Pivot Arm			
<input type="checkbox"/>	183DI20	Short 2"	N/C
<input type="checkbox"/>	183DI21	Long 3 1/4"	N/C
Z-finity Footplate			
Some interference may exist in certain configurations.			
<input type="checkbox"/>	183F320	Multi Angle Adjustable (Pair) (not avail. w/8"-9" widths)	N/C
<input type="checkbox"/>	183F321	Angle Adjustable Platform Footboard	N/C
<input type="checkbox"/>	183F6	Omit Footplate	N/C
Z-finity Extension Tube Length (When Choosing Ext. Tube Mount)			
<input type="checkbox"/>	183E62	Hemi Short	N/C
<input type="checkbox"/>	183E1	Short	N/C
<input type="checkbox"/>	183E2	Medium	N/C
<input type="checkbox"/>	183E5	Long	N/C

D

Additional Hanger and Footplate Options			
Hanger Mounts			
1" Offset NA with -5-50° and -5-35° preset tilt angle and possible interference with 80° & 90° hangers			
<input type="checkbox"/>	183MZ02	Standard Hanger Mount	N/C
<input type="checkbox"/>	183MZ01	1" Offset Hanger Mount	N/C

Footrest Options			
<input type="checkbox"/>	183HL1	Heel Loop	N/C
<input type="checkbox"/>	183HL5	Leg Strap	
<input type="checkbox"/>	183IG2	Impact Guard Neoprene Only available w/ 60° or 70° ext. mount hanger	
<input type="checkbox"/>	183H32	Omit Hanger	
<input type="checkbox"/>	183HL4	Omit Heel Loop	N/C
<input type="checkbox"/>	183HL6	Omit Single Leg Strap	N/C

✓ Option #	Definition	Price	✓ Option #	Definition	Price
5. HANGER AND FOOTREST (CONT)					

JAY FOOT BOXES			
<i>Only available with Swing Away, Lift-off Hangers, Adult Angle Adj Footplates and ELR / ALR. Single Foot Box pairs NA with 14"-15" frame widths. Full Foot Boxes NA with Heel Loop or Leg Strap, Tall Height Full Footbox w/ 14"-15" frame width and ELR / ALR.</i>			
Single Foot Box			
<input type="checkbox"/>	183JX01	Standard Height - Left	
<input type="checkbox"/>	183JX02	Tall Height - Left	
<input type="checkbox"/>	183JX03	Standard Height - Right	
<input type="checkbox"/>	183JX04	Tall Height - Right	

JAY FOOT BOXES (cont)			
<input type="checkbox"/>	183JX05	Standard Height - Pair	
<input type="checkbox"/>	183JX06	Tall Height - Pair	
OR Full Foot Box			
<input type="checkbox"/>	183JX07	Full Foot box Std Height	
<input type="checkbox"/>	183JX08	Full Foot box Tall Height	
<input type="checkbox"/>	183JX09	Full Foot box w/ Divider Std Ht	
<input type="checkbox"/>	183JX10	Full Foot box w/ Divider Tall Ht	

6. BACKREST / SEATING

Dynamic Backrest			
<input type="checkbox"/>	183BT101	Dynamic Backrest NA w/ Reclining Backrest or 19"-22" seat depths	

JAY J3 Back			
<input type="checkbox"/>	183JB01	JAY J3 Back NA w/ O2 Holder	See OF

Built 4 Me Options NEW!			
<input type="checkbox"/>	183VU18	B4ME - 19" Depth w/Dynamic Back	
<input type="checkbox"/>	183VU19	B4ME - 20" Depth w/Dynamic Back	

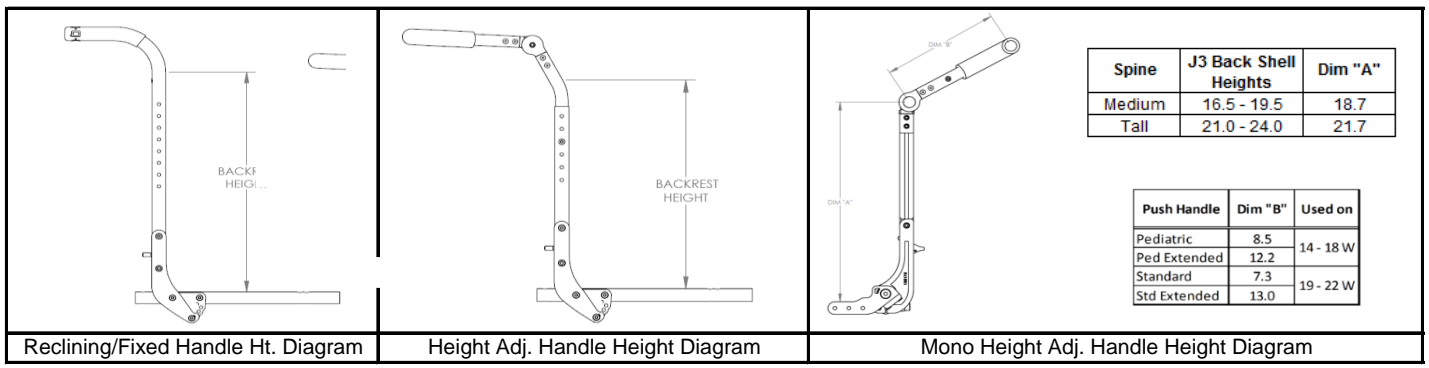
Backpost Style - (Choose ONE Option - A, B, C, or D)

A. Stroller Handle Backpost (Fixed)			
<input type="checkbox"/>	183BP9	Low (18")	N/C
<input type="checkbox"/>	183BP10	Medium (21")	N/C
<input type="checkbox"/>	183BP11	Tall (24")	N/C
<input type="checkbox"/>	183BP13	Removable Extension NA w/ 21"- 22" frame width, height adj back with adj stroller handles	

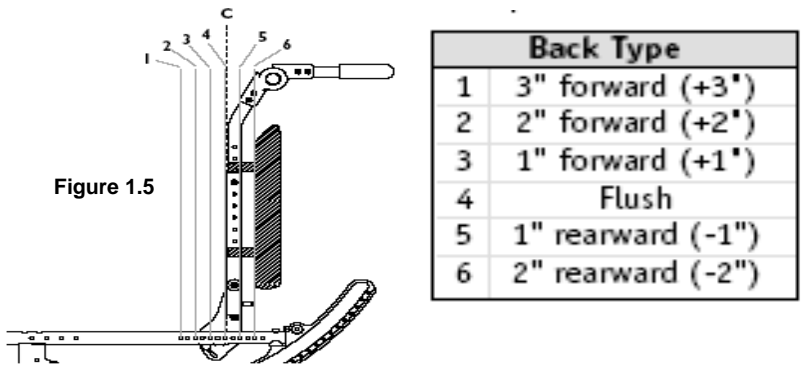
OR C. Reclining Backrest (0-40°) NEW!			
<i>Only available with 40 degree tilt range. NA w/ 22" Deep Frame.</i>			
<input type="checkbox"/>	183BT21	Reclining Backrest	
<input type="checkbox"/>	183BP64	Angle Adj stroller handles Height adj range 19"- 23"	
<input type="checkbox"/>	183B5	Medium	N/C
<input type="checkbox"/>	183B9	Tall	N/C
<input type="checkbox"/>	183PH8	Standard push handle	N/C
<input type="checkbox"/>	183PH9	Long push handle	N/C

OR B. Height Adjustable Back w/ Adj. Stroller Handles			
Select desired Push Handle			
<input type="checkbox"/>	183PH8	Standard Push Handle	N/C
<input type="checkbox"/>	183PH9	Long Push Handle <i>Recommended in combo w/ vent & battery tray</i>	N/C
AND select desired Back Cane			
<input type="checkbox"/>	183B200	Standard 15"-21"	N/C
<input type="checkbox"/>	183B201	Tall 18"-24"	N/C

OR D. Mono Back System			
<i>Must select JAY J3 or JAY Custom Back when ordering Mono Back System.</i>			
Select One			
<input type="checkbox"/>	183MO1	Mono Backrest System	
<input type="checkbox"/>	183MO2	Mono Backrest System w/Dynamic Backrest	
AND Select desired Push Handle			
<input type="checkbox"/>	183PH8	Standard Push Handle	N/C
<input type="checkbox"/>	183PH9	Long Push Handle	N/C



Backrest Position (set up by Quickie)			
<i>See FIGURE 1.5. The location of the backrest surface in relation to the front of the backpost. The measurement is taken from the front surface of the backpost to the deepest area of the backrest in contact with the user's body.</i>			
<input type="checkbox"/>	183BQ01	+3"	N/C
<input type="checkbox"/>	183BQ05	+2"	N/C
<input type="checkbox"/>	183BQ02	+1"	N/C
<input type="checkbox"/>	183BQ03	Flush	N/C
<input type="checkbox"/>	183BQ04	-1"	N/C
<input type="checkbox"/>	183BQ06	-2"	N/C



✓	Option #	Definition	Price	✓	Option #	Definition	Price
---	----------	------------	-------	---	----------	------------	-------

6. BACKREST / SEATING (CONT)

Mono Backrest Options ONLY

NA on HD, Vent/Battery Tray Base(LTV only), Reclining Backrest, Desk Length Armpads and Canopy.

JAY J3 Back for Mono Backrest System

<input type="checkbox"/>	183JB04	JAY J3 Back Mono	See OF
<input type="checkbox"/>	183JB05	JAY J3 via JAY Your Way	See OF

JAY J3 Backrest Contour

<input type="checkbox"/>	183JP01	J3 PA Back (2.2" of Contour Depth) 14"-20" Wide	
<input type="checkbox"/>	183JP02	J3 PA Back (2.2" of Contour Depth) 22" Wide	
<input type="checkbox"/>	183JP03	J3 PL Back (3.0" of Contour Depth) 14"-20" Wide	
<input type="checkbox"/>	183JP04	J3 PDL Back (6.0" of Contour Depth) 14"-20" Wide	
<input type="checkbox"/>	183JP05	J3 PDC Back (6.0" of Contour Depth) 14"-20" Wide	

JAY J3 Backrest Height

<input type="checkbox"/>	183JR07	UT Standard 16.5" shell height	N/C
<input type="checkbox"/>	183JR08	UT Medium 18" shell height	N/C
<input type="checkbox"/>	183JR09	UT Tall 19.5" shell height	N/C
<input type="checkbox"/>	183JR10	SH Standard 21" Shell Height	N/C
<input type="checkbox"/>	183JR11	SH Medium 22.5"	N/C
<input type="checkbox"/>	183JR12	SH Tall 24"	N/C

JAY J3 Backrest Width

Some interference with armrest may exist when ordering a Backrest with greater than 4" wider than the base.

<input type="checkbox"/>	183JQ06	12" Backrest Width	N/C
<input type="checkbox"/>	183JQ01	14" Backrest Width	N/C
<input type="checkbox"/>	183JQ02	16" Backrest Width	N/C
<input type="checkbox"/>	183JQ03	18" Backrest Width	N/C
<input type="checkbox"/>	183JQ04	20" Backrest Width	N/C
<input type="checkbox"/>	183JQ05	22" Backrest Width	N/C

JAY J3 Backrest Colour

<input type="checkbox"/>	183GZ01	Black	N/C
<input type="checkbox"/>	183GZ02	Matching Frame- Standard Colours	N/C
<input type="checkbox"/>	183GZ03	Matching Frame- Custom Colour	

JAY J3 Back for Mono Backrest System Cont.

Select desired Headrest Mount (optional)

<input type="checkbox"/>	183MH10	Axys Mount & Bracket	
<input type="checkbox"/>	183MH15	Cobra Flip Back Mount and Bracket	
<input type="checkbox"/>	183MH16	Onyx Mount and Bracket	
<input type="checkbox"/>	183MH17	Omit	N/C

Select desired Headrest Pad (optional)

<input type="checkbox"/>	183HE65	Plush Head Support Pad 8"	
<input type="checkbox"/>	183HE66	Plush Head Support Pad 10"	
<input type="checkbox"/>	183HE78	Plush Head Support Pad 14"	
<input type="checkbox"/>	183HE87	HeadsUp Lrg: 5.3" Lng Arms	
<input type="checkbox"/>	183HE88	HeadsUp Med: 4.1" Sht Arms	
<input type="checkbox"/>	183HE89	HeadsUp Sm: 3.5" Sht Arms	
<input type="checkbox"/>	183HE83	Adjust-A-Plush Standard	
<input type="checkbox"/>	183HE82	Adjust-A-Plush Narrow	

Select desired Lateral (optional)

<input type="checkbox"/>	LAT 4X4 S/A MOUNTS includes 1" OFFSET - PR		
	183ZV14	LATERAL 4X4 W/ 1" OFFSET - PAIR	
	183ZS07	LATERAL SWING AWAY MOUNT - PAIR	N/C
<input type="checkbox"/>	LAT 4X5 S/A MOUNTS includes 1" OFFSET - PR		
	183ZV15	LATERAL 4X5 W/ 1" OFFSET - PAIR	
	183ZS07	LATERAL SWING AWAY MOUNT - PAIR	N/C
<input type="checkbox"/>	LAT 4X6 S/A MOUNTS includes 1" OFFSET - PR		
	183ZV16	LATERAL 4X6 W/ 1" OFFSET - PAIR	
	183ZS07	LATERAL SWING AWAY MOUNT - PAIR	N/C
<input type="checkbox"/>	LAT 6X4 S/A MOUNTS includes 1" OFFSET - PR		
	183ZV17	LATERAL 6X4 W/ 1" OFFSET - PAIR	
	183ZS07	LATERAL SWING AWAY MOUNT - PAIR	N/C
<input type="checkbox"/>	LAT 6X5 S/A MOUNTS includes 1" OFFSET - PR		
	183ZV18	LATERAL 6X5 W/ 1" OFFSET - PAIR	
	183ZS07	LATERAL SWING AWAY MOUNT - PAIR	N/C
<input type="checkbox"/>	LAT 6X6 S/A MOUNTS includes 1" OFFSET - PR		
	183ZV19	LATERAL 6X6 W/ 1" OFFSET - PAIR	
	183ZS07	LATERAL SWING AWAY MOUNT - PAIR	N/C

7. ARMREST / SIDE GUARDS

Armrest

Heavy Duty Option only available w/ Dual Post Armrest

<input type="checkbox"/>	183AA63	Dual Post Height Adjustable	
<input type="checkbox"/>	183AA43	Dual Post Flip Back	
<input type="checkbox"/>	183AA62	Dual Post	N/C
<input type="checkbox"/>	183AA48	Dual Post Flip Back Height Adj	
<input type="checkbox"/>	183AA11	Single Post Height Adjustable - Std	
<input type="checkbox"/>	183AA29	Single Post Height Adjustable - Low	
<input type="checkbox"/>	183AA7	Length Adjustable Locking Flip-Up NA w/ Contour Armpad	
<input type="checkbox"/>	183AA1	Adjustable Locking Flip-Up	
<input type="checkbox"/>	183AA154	Height Adj. Cantilever Armrest Available with Mono Back only. NA w/ 20", 22" and 24" rear wheels.	
<input type="checkbox"/>	183AA14	Omit Armrest	N/C

Armrest Receiver (Single Post Height Adjustable Only)

<input type="checkbox"/>	183AR17	Low	N/C
<input type="checkbox"/>	183AR18	Std	N/C

Armpad

NEW!

Ergo armpad only available with Single post Height adj armrest

<input type="checkbox"/>	183AM23	Desk Length Classic	N/C
<input type="checkbox"/>	183AM21	Desk Length Contour	N/C
<input type="checkbox"/>	183AM24	Full Length Classic	N/C
<input type="checkbox"/>	183AM22	Full Length Contour	N/C
<input type="checkbox"/>	183AM9	Foam Short <i>Option for Length Adj Locking Flip Up</i>	N/C
<input type="checkbox"/>	183AM10	Foam Long <i>Option for Length Adj Locking Flip Up</i>	N/C
<input type="checkbox"/>	183AM27	Ergo armpad	N/C

✓ Option #	Definition	Price	✓ Option #	Definition	Price
------------	------------	-------	------------	------------	-------

7. ARMREST / SIDE GUARDS (CONT)

JAY Arm Troughs

NA with Length Adj. Locking Flip Up and Adj Locking Flip Up armrests and Single Post Height Adj Armrests. Full Length Classic Armpads will automatically be selected when choosing only one side Arm Trough.

<input type="checkbox"/>	183JL01	Arm Trough - 14" long - Left	
<input type="checkbox"/>	183JL04	Arm Trough - 14" long - Right	
<input type="checkbox"/>	183JL05	Arm Trough - 14" long - Pair	
<input type="checkbox"/>	183JL02	Arm Trough - 18" long - Left	
<input type="checkbox"/>	183JL06	Arm Trough - 18" long - Right	
<input type="checkbox"/>	183JL07	Arm Trough - 18" long - Pair	
<input type="checkbox"/>	183JL03	Arm Trough - 22" long - Left	
<input type="checkbox"/>	183JL08	Arm Trough - 22" long - Right	
<input type="checkbox"/>	183JL09	Arm Trough - 22" long - Pair	

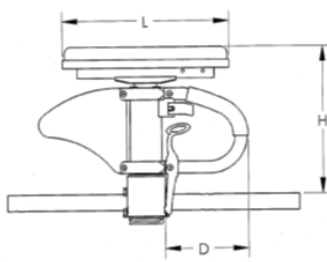
JAY Arm Trough - Hardware

<input type="checkbox"/>	183JN01	Fixed (EA)	N/C
<input type="checkbox"/>	183JN03	Fixed (Pair)	N/C
<input type="checkbox"/>	183JN02	Swing Away - Rotational (EA)	
<input type="checkbox"/>	183JN04	Swing Away - Rotational (Pair)	

Side Guard

Only available w/ length adj locking flip-up, adj locking flip-up and armrest styles. NA w/ Mono Back.

<input type="checkbox"/>	183SG3	Plastic Regular	
<input type="checkbox"/>	183SG4	Plastic Kids	

Armrest Matrix for Single Post					
Armrest Size	Transfer Tube Length D	Receiver	Classic Pad		
			H Range	Pad length L	
Std	8"	Std	10-3/4" to 15-3/4"	10-1/4"	14"
		Low	8-3/4" to 13-3/4"		
Low	5-1/4"	Std	9" to 13"	10-1/2"	14-1/4"
		Low	7-1/4" to 11-1/4"		
		Contour Pad			
		Receiver	H Range	Pad length L	
		Std	10" to 15"	10-1/2"	14-1/4"
		Low	8-1/4" to 13-1/4"		
		Std	8-1/2" to 12-1/2"	11-3/4"	
		Low	6-3/4" to 10-3/4"		
Ergo Pad					
Receiver	H Range	Pad length L			
Std	10-1/2" to 15-1/2"	11-3/4"			
Low	8-3/4" to 13-3/4"				
Std	9" to 13"				
Low	7-1/4" to 11-1/4"				

8. KEY OPTIONS AND ACCESSORIES

Anti Tips

Included with vent tray option. Not ordered as separate line item.

<input type="checkbox"/>	183AT1	Anti Tips (Pair)	
--------------------------	--------	------------------	--

Positioning Belt

<input type="checkbox"/>	183A158	2" Dual Pull Squeeze Pad w/Clamp	
<input type="checkbox"/>	183A141	1.5" Auto Buckle Universal w/Clamp	
<input type="checkbox"/>	183A117	2" Aircraft Buckle w/Clamps	
<input type="checkbox"/>	183A118	2" Aircraft Buckle Pad w/Clamp	
<input type="checkbox"/>	183A120	Positioning Belt Clamps Only	
<input type="checkbox"/>	183ZZ25	JAY 2PT Belt 2" Push Btn No Pad	
<input type="checkbox"/>	183ZZ26	JAY 2PT Belt 2" Push Btn 9.5" Pad	
<input type="checkbox"/>	183ZZ27	JAY 2PT Belt 1.5" Push Btn No Pad	
<input type="checkbox"/>	183ZZ28	JAY 2PT Belt 1.5" Push Btn 9.5" Pad	

Spoke Guards

Not available with 12" and 16" mag wheels or projection handrims.

<input type="checkbox"/>	183A24	Clear	
<input type="checkbox"/>	183A23	Black NA w/ projection handrims	

Wheelchair Tray Table

Only available if armrests are included. NA with JAY Arm Troughs.

<input type="checkbox"/>	183A30	Small (13"-14")	
<input type="checkbox"/>	183A31	Medium (15"-17")	
<input type="checkbox"/>	183A32	Large (18"-20")	
<input type="checkbox"/>	183A33	X-Large (21"-22")	

JAY Positioning NEW!

<input type="checkbox"/>	183K1	JAY Lower Extremity S/A support <input type="checkbox"/> Left <input type="checkbox"/> Right Position	
<input type="checkbox"/>	183K2	Omit Hanger <input type="checkbox"/> Left <input type="checkbox"/> Right	N/C
<input type="checkbox"/>	183K7	Pad Size <input type="checkbox"/> 6" x 8" <input type="checkbox"/> 8" x 10"	N/C

Vent Tray - Back Cane Mount

Utility hook has weight a limit of 7kgs

<input type="checkbox"/>	183LF12	Dovetail Vertical Frame Mounted Hardware for LTV Ventilators includes 1 utility hook	
<input type="checkbox"/>	183LF13	Dovetail Vertical Frame Mounted Hardware for Trilogy Ventilators includes 1 utility hook	

JAY Anterior Thoracic Support

Style

<input type="checkbox"/>	183JY01	Classic Dynamic	
<input type="checkbox"/>	183JY02	Classic Structure	
<input type="checkbox"/>	183JY03	Contour Dynamic	
<input type="checkbox"/>	183JY04	Contour Structure	
<input type="checkbox"/>	183JY05	Center Opening with Buckle	

Size

<input type="checkbox"/>	183JZ01	Small	N/C
<input type="checkbox"/>	183JZ02	Medium	N/C
<input type="checkbox"/>	183JZ03	Large	N/C
<input type="checkbox"/>	183JZ04	X-Large	N/C

JAY Padded Trunk Strap

<input type="checkbox"/>	183JA01	Padded Trunk Strap - Small	
<input type="checkbox"/>	183JA02	Padded Trunk Strap - Medium	
<input type="checkbox"/>	183JA03	Padded Trunk Strap - Large	
<input type="checkbox"/>	183JA04	Padded Trunk Strap - XL	

Miscellaneous Accessories

<input type="checkbox"/>	183A1	Black Utility Backpack	
<input type="checkbox"/>	183A8	Black Seat Pouch	
<input type="checkbox"/>	183A54	Extra Leg Strap Black	
<input type="checkbox"/>	183A82	Caddy <i>Only available w/ extension tube mounted footrests</i>	
<input type="checkbox"/>	183A601	O2 Holder NA w/ Height Adj Stroller Handles. NA w/ Reclining Backrest, Mono Back	
<input type="checkbox"/>	183A701	IV Pole NA w/ Mono Back	

Canopy (SunShade)

Need 2" back post clearance to mount canopy hardware. May require next height based on seating. Some interference may occur with some height configurations. NA with Mono Back.

<input type="checkbox"/>	1838A06	Canopy (Sunshade) 10" - 14" wide	
<input type="checkbox"/>	1838A07	Canopy (Sunshade) 15" - 20" wide	

✓	Option #	Definition	Price	✓	Option #	Definition	Price
9. COLOUR							

Standard Frame Colour							
<input type="checkbox"/>	183C140	Aztec Gold	N/C	<input type="checkbox"/>	183C126	Glow	N/C
<input type="checkbox"/>	183C2	Black	N/C	<input type="checkbox"/>	183C144	Green Apple	N/C
<input type="checkbox"/>	183C141	Black Cherry	N/C	<input type="checkbox"/>	183C147	Hot Sparkle Pink	N/C
<input type="checkbox"/>	183C10	Black Opal	N/C	<input type="checkbox"/>	183C148	Mauve Pink	N/C
<input type="checkbox"/>	183C38	Blue Opal	N/C	<input type="checkbox"/>	183C103	Rootbeer	N/C
<input type="checkbox"/>	183C36	Candy Blue	N/C	<input type="checkbox"/>	183C114	Sparkle Silver	N/C
<input type="checkbox"/>	183C14	Candy Purple	N/C	<input type="checkbox"/>	183C145	Sunrise Orange	N/C
<input type="checkbox"/>	183C35	Candy Red	N/C	<input type="checkbox"/>	183C113	Titanium	N/C
<input type="checkbox"/>	183C142	Electric Blue	N/C	<input type="checkbox"/>	183C8	Yellow	N/C
<input type="checkbox"/>	183C143	Evergreen	N/C				

Custom Frame Colour			
<input type="checkbox"/>	183C112		Desert Camouflage
<input type="checkbox"/>	183C43		Mossy Oak Camouflage
<input type="checkbox"/>	183C42		Stars & Stripes
<input type="checkbox"/>	183C108		Zebra (Choose above base Colour) Std with White unless above base paint is chosen NA w/ Black

Matte Frame Colour				
<input type="checkbox"/>	183C116		Matte Black	N/C
<input type="checkbox"/>	183C151		Matte Black Cherry	N/C
<input type="checkbox"/>	183C150		Matte Electric Blue	N/C
<input type="checkbox"/>	183C149		Matte Evergreen	N/C
<input type="checkbox"/>	183C152		Matte Purple	N/C

Additional Options Through Built for Me

To inquire about any unique customization for Quickie products, contact: Phone: 0800 543 343



Commonly Requested Options Include:

- ✓ 23" & 24" Seat Widths
- ✓ Frog Legs
- ✓ Longer Wheel Lock Extensions
- ✓ Reverse Configuration
- ✓ Dual Mount Wheel Locks - Attendant Foot Lock
- ✓ Dynamic Back on Frame Depth up to 20"

10. APPENDIX

Lower Leg Length Matrix

Front seat height must be at least 2" taller than lower leg length on all swing in/out hangers. Front seat height must be at least 2" taller than maximum lower leg length on all front mount hangers.

Hanger	Extension	Seat Pan to Top of Footrest		Min Allowable FSH
		Min	Max	
70° Front Mount	No Ext	3 1/2	9	11 1/2
	2"	3 1/2	11 1/2	13 1/2
	4"	3 1/2	13 1/2	15 1/2
80° Front Mount	No Ext	3 1/2	9 1/2	11 1/2
	2"	3 1/2	12	14
	4"	3 1/2	14	16
90° Front Mount	No Ext	3	9	11 1/2
ELR Front Mount	No Ext	3	7	10 1/2
60° Swing In/Out	Short	9	12 1/2	12 1/2
	Med	9	14 1/2	12 1/2
	Long	11 1/2	16	14 1/2
70° Swing In/Out	Short	10 1/2	15 1/2	12 1/2
	Med	10 1/2	17 1/2	13
	Long	13 1/2	19	15
80° Swing In/Out	Short	11	14 1/2	13
	Med	11	16 1/2	13
	Long	13	18	15
ALR	Short	8 1/2	15	10 1/2
	Med	10	17	12
	Long	12	19	14
ELR Ext. Mount	Short	8	14 1/2	10
	Medium	9 1/2	16 1/2	11 1/2
	Long	11 1/2	18 1/2	13 1/2

